

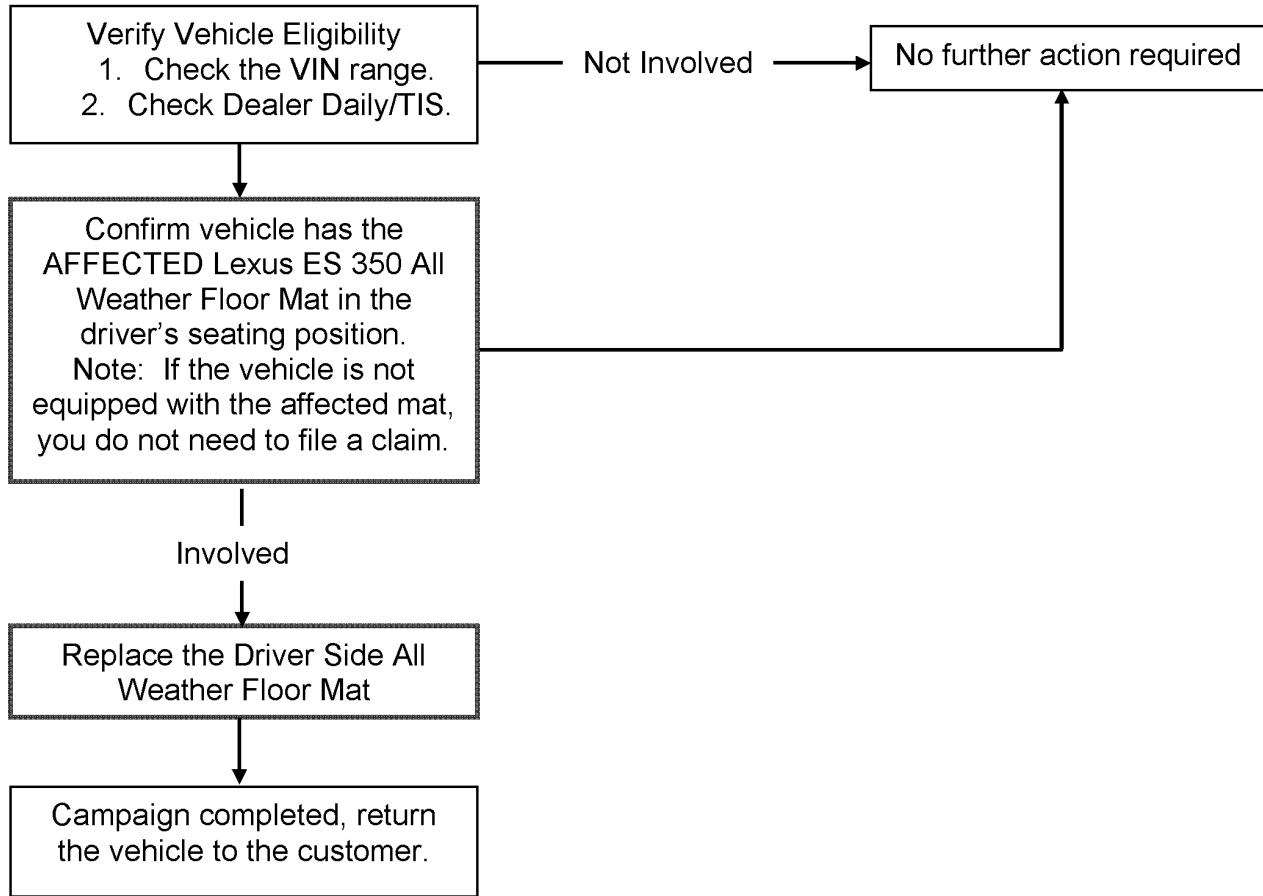
TECHNICAL INSTRUCTIONS

FOR

SPECIAL SERVICE CAMPAIGN 7LB (SAFETY RECALL)

2007 AND EARLY 2008 MODEL YEAR
LEXUS ES 350 ALL WEATHER FLOOR MAT

I. OPERATION FLOW CHART



II. IDENTIFICATION OF AFFECTED VEHICLES

A. AFFECTED VINS

- Check Dealer Daily/TIS to confirm the VIN is involved in this SSC. This will verify the vehicle is affected and has not already been completed prior to dealer shipment or by another dealer.
- TMS warranty will not reimburse dealers for repairs conducted on vehicles that are not affected or were completed by another dealer.

III. PREPARATION

A. PARTS

Part Number	Part Description	Quantity
PT908-3307F-02	ES 350 AWFM Black (Driver's Side)	1
PT908-3307F-11	ES 350 AWFM Gray (Driver's Side)	1
PT908-3307F-14	ES 350 AWFM Brown (Driver's Side)	1

B. TOOLS

[APG]

- No tools are required for this repair

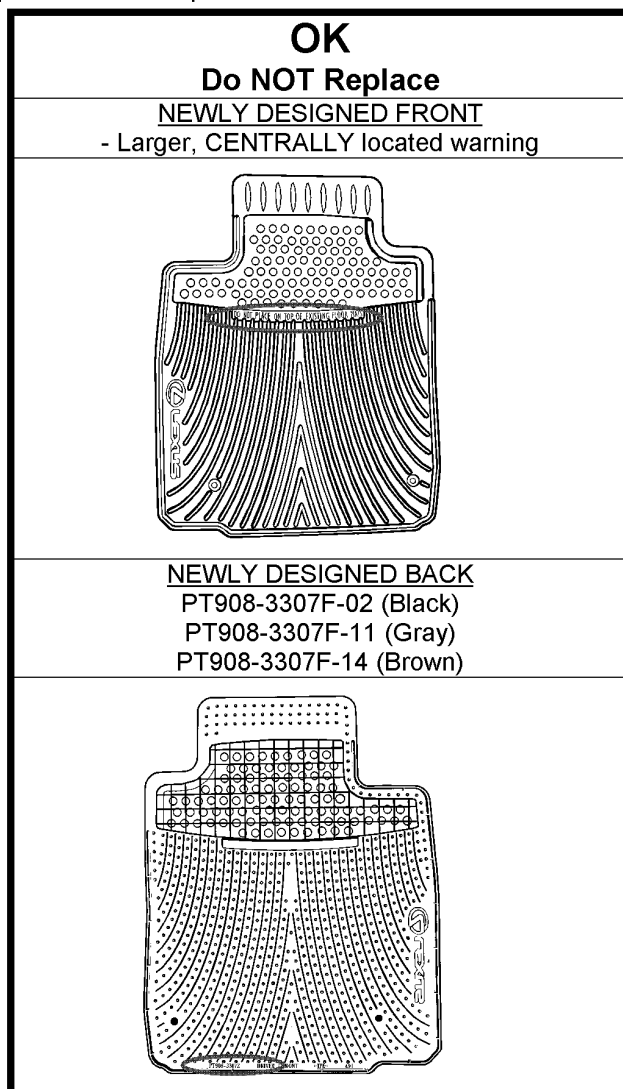
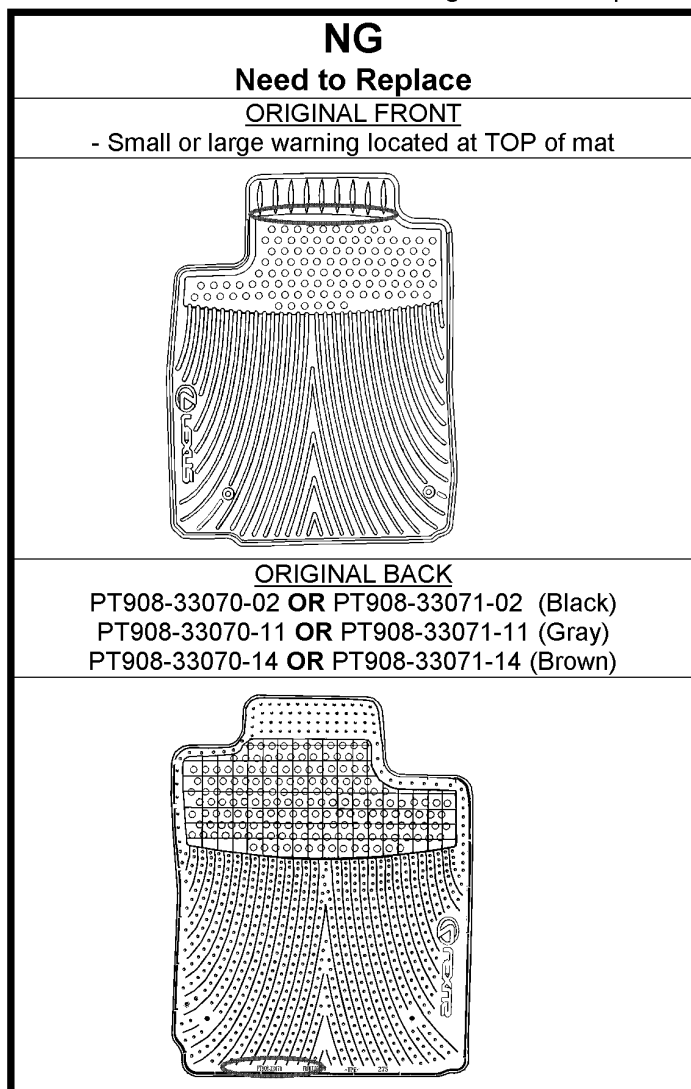
[APG]

IV. WORK PROCEDURE

A. CONFIRM THE VEHICLE HAS THE AFFECTED ALL WEATHER FLOOR MAT

Confirm if the **original** driver side All Weather Floor Mat (see the diagram below for key areas to aid in identification of the original vs. the newly designed mat) is present in the vehicle.

- If the original mat is NOT present, no action is necessary. You do not need to file any claims.
- If the original mat IS present, proceed to step B.



B. REPLACE THE AFFECTED DRIVER SIDE ALL WEATHER FLOOR MAT WITH THE NEWLY DESIGNED ONE

- MAKE SURE THE RETAINING HOOKS (CLIPS) ARE PROPERLY INSTALLED TO THE VEHICLE'S CARPET AND SECURE THE ALL WEATHER FLOOR MAT.
- MORE THAN ONE FLOOR MAT SHOULD NEVER BE USED IN THE DRIVER'S SEATING POSITION, AS THE RETAINING HOOKS (CLIPS) ARE DESIGNED TO ACCOMMODATE ONLY ONE FLOOR MAT AT A TIME.

V. RECALLED PARTS RECOVERY

The returned floor mats will be placed on Warranty Parts Recovery and dealers will be required to return the original floor mats to TMS. Floor Mats that are not returned will result in the claim being

[APG]

debited.

[APG]